

Pathogen and pest extermination equipment

No need for chemical or gas cylinder

Environmentally friendly and efficient extermination of pathogen and pest

Summary

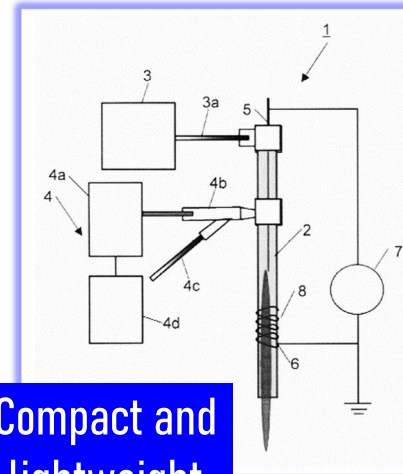
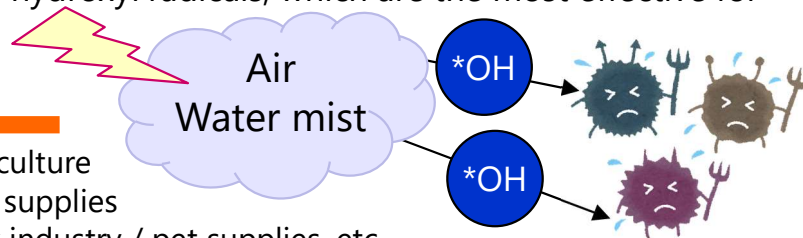
The conventional chemical for sterilization and pest extermination destroys the environment due to its residue. In order to solve this problem, the following technical issues needed to be accomplished.

- Apply highly bactericidal and environmentally friendly hydroxyl radical (OH radical) for sterilization, disinfection and pest extermination
- ① Establish an efficient method for producing a large quantity of hydroxyl radical
- ② Substitute air for helium and argon expensive gases to reduce cost and weight (ease of transport).

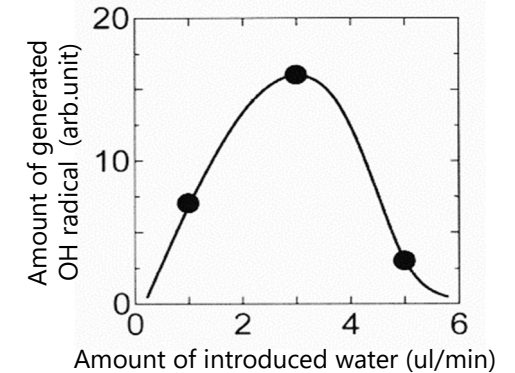
The most important characteristic of this invention is the creation of a plasma jet device where the **air** is used instead of expensive gases such as helium and argon, and introduces a **water mist** that can produce a large quantity of hydroxyl radicals, which are the most effective for sterilization.

Application

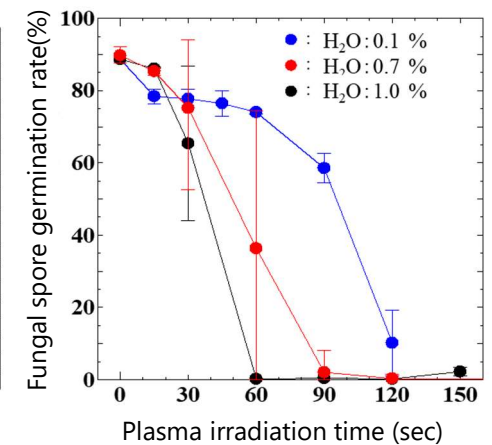
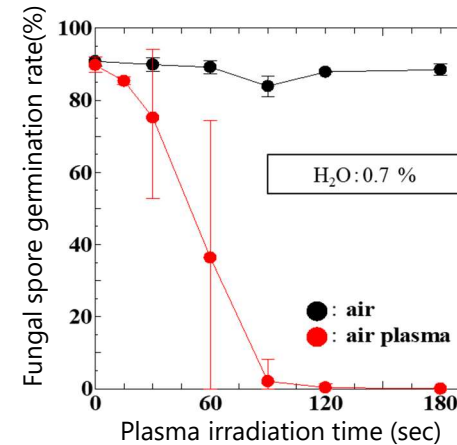
- Agriculture / horticulture
- Sanitary / medical supplies
- Fishery / livestock industry / pet supplies, etc.



Compact and
lightweight



Control water/gas quantity
Efficient sterilization/disinfection



Contact us

Tohoku Techno Arch Co., LTD
 TEL:+81-22-222-3049, FAX:+81-22-222-3419
[Click](#) to contact

Patent Data Sheet

Patent number (Serial number): JP6363124, JP5909831(Japan),
 2941955(Netherlands) (T12-101)

Inventors : KANEKO Toshiro, KATO Toshiaki