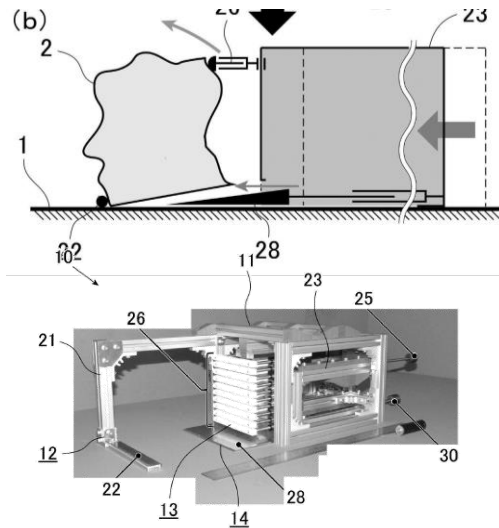


# High-Performance, High-Performance Hand and Gripper

Offers technology related to hand, gripper and gripping mechanism

## Transporting device capable of moving even object difficult to grasp

To provide a mechanism capable of moving even an object having a shape difficult to be gripped, and capable of moving the object without applying force to the object during movement.  
(IP No. : JP2021-201325, Admin No. : T21-217)



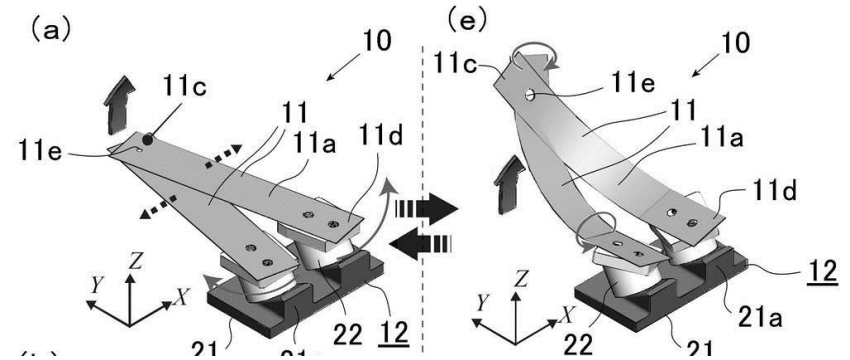
### IP Data

IP No. : Reference to the above respective technologies  
 Inventor : TADAKUMA Kenjiro etc.  
 Admin No. : Reference to the above respective technologies

If there is any technology you are interested in, please contact me!!

## Highly rigid hand while remaining thin

Hand and grip mechanism utilizing deformation mechanism which can enhance rigidity while remaining thin.  
(IP No. : JP2021-082469, Admin No. : T20-3132)



### Contact

Download OnePager



Contact

<https://www.t-technoarch.co.jp/en/contact.html>



Check Out Our Inventions

<https://www.t-technoarch.co.jp/en/anken.php>



Follow us

<https://www.linkedin.com/company/tohoku-techno-arch>



# Leading you to Successful Industrialization



**TOHOKU TECHNO ARCH**

株式会社 東北テクノアーチ