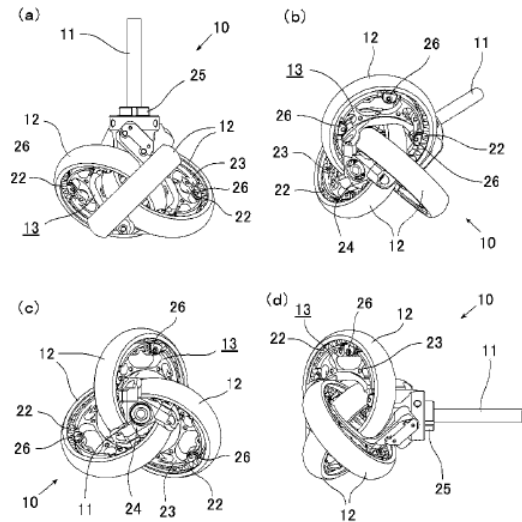


# High functionality, high-performance wheels and crawlers

Provides technology for wheels and crawlers

## Composite type wheel having high running performance in step and groove

Composite type wheel with high running performance in steps and grooves and capable of moving in multiple directions.  
(IP No. : JP2022-085688, Admin No. : T22-014)



### IP Data

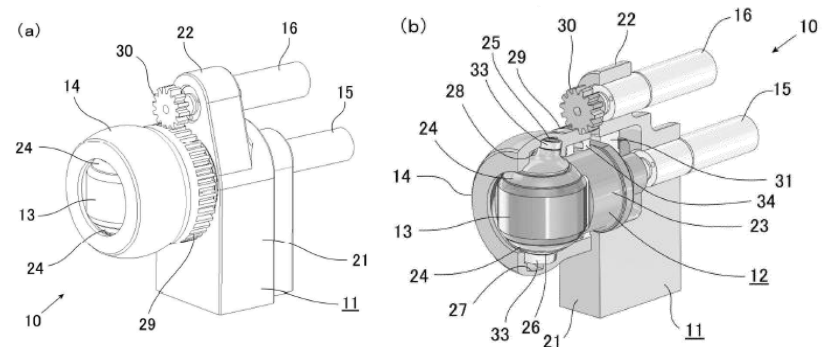
IP No. : Reference to the above respective technologies  
 Inventor : TADAKUMA Kenjiro etc.  
 Admin No. : Reference to the above respective technologies

**Please let us know if there is any technology you are interested in!!**

## Small, high stiffness, low backlash wheels

A 2-way drive wheel that achieves small size, high rigidity, and low backlash.

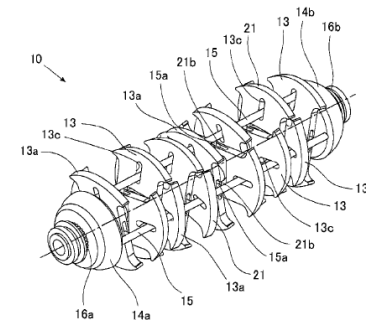
(IP No. : JP2021-144398, Admin No. : T21-111)



## High maintenance, moving mechanism capable of moving in multiple directions

High maintainability, moving mechanism capable of moving in multiple directions.

((IP No. : JP2022-085565, Admin No. : T22-013)



### Contact

Download OnePager



Contact

<https://www.t-technoarch.co.jp/en/contact.html>



Check Out Our Inventions

<https://www.t-technoarch.co.jp/en/anken.php>



Follow us

<https://www.linkedin.com/company/tohoku-techno-arch>



# Leading you to Successful Industrialization



**TOHOKU TECHNO ARCH**

株式会社 東北テクノアーチ